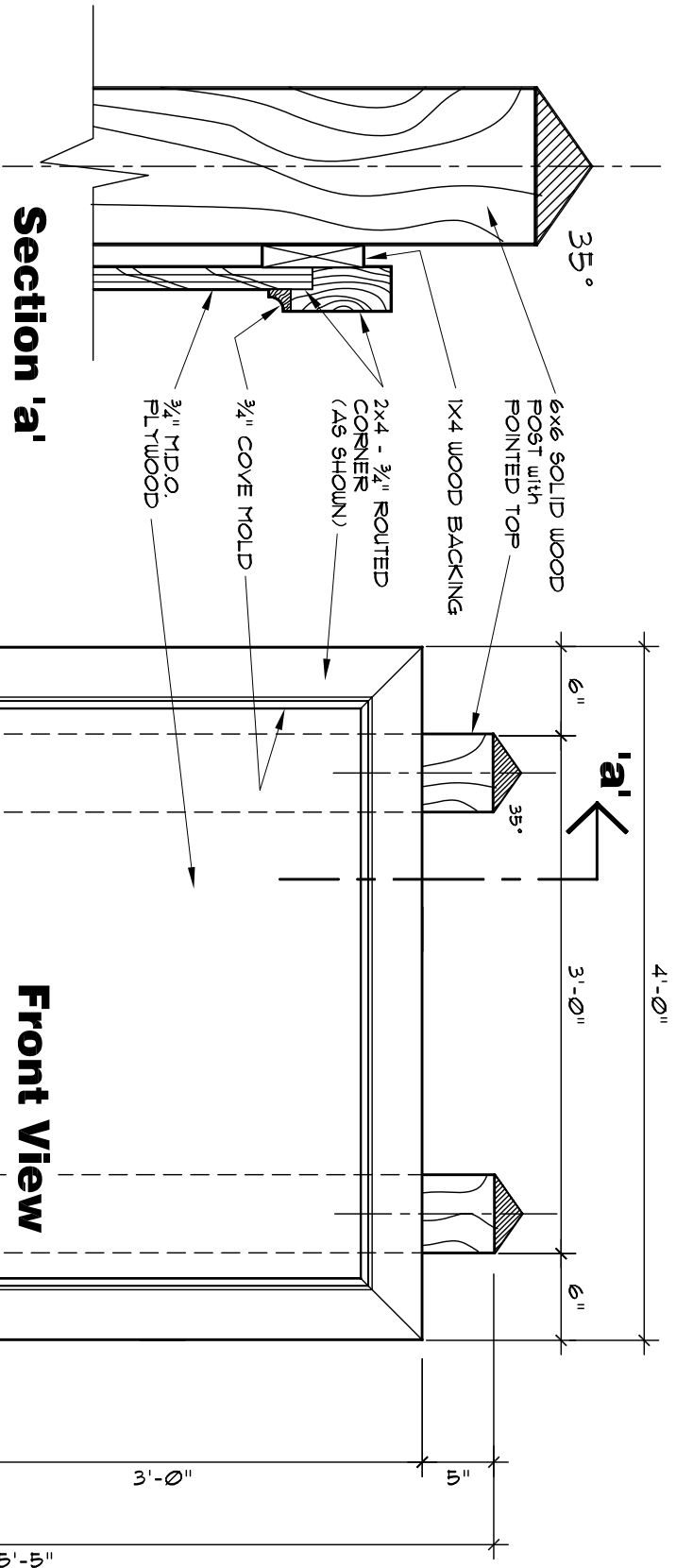




Attachment 'A'



Notes:

1. INFORMATION TO BE NEATLY COMPOSED, JUSTIFIED, ALIGN LEFT or CENTERED, and LIMITED TO THE FOLLOWING INFORMATION:
 - LOT NUMBER or ADDRESS
 - OWNER'S NAME
 - GENERAL CONTRACTOR'S NAME, ADDRESS, and PHONE NUMBER
 - ARCHITECT or DESIGNER'S NAME, ADDRESS, and PHONE NUMBER

2. COLORS ARE TO BE AS FOLLOWS:

- LETTERS and COVE MOLD: PM5_453C
- FRAME and PLYWOOD: PM5_343U
- POSTS: OLYMPIC STAIN NO. 111

3. CONTACT the 'CASTLE PINES HOMES ASSOCIATION' at 303-814-1345 REGARDING QUESTIONS ABOUT THE SIGNAGE:

ADDITIONAL 1/2" THICK x 48" WIDE PLYWOOD PERMITTED FOR LEGAL/SAFETY NOTICES REQUIRED BY O.S.H.A. or OTHER AGENCY. NOTICES MUST BE DISPLAYED IN CLEAR PLASTIC SLEEVES and SECURELY ATTACHED. NO OTHER SIGNS WILL BE PERMITTED.